


Base Trailer

- Standard Specification (grey primer finish)..... \$41,375.00

Open

- 20'-0" long
- 10'-0" wide
- 8'-0" high

- 150 Cu. Ft. Interior volume
- 44 Cu. Ft. storage compartment
- 1780 Lbs. vehicle curb weight
- 2000 Lbs. payload

Closed

- 10'-0" long
- 5'-0" wide
- 7'-0" high

- Torsion rubber axle suspension
- Automatic 3 position doorstops
- Radial tires on 14" wheels, including spare
- Hydraulic surge brakes

Optional Equipment (Partial Listing)

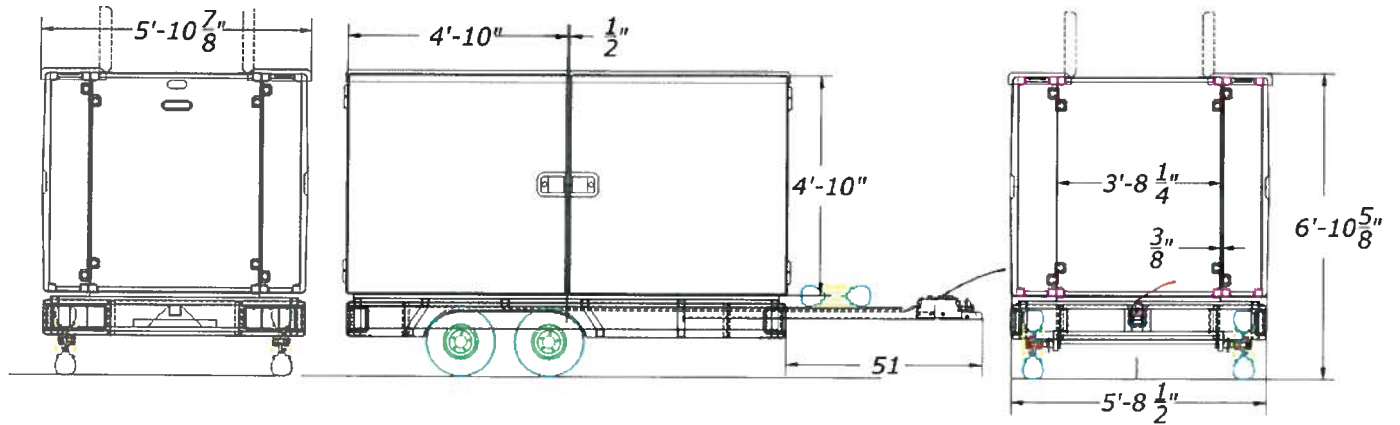
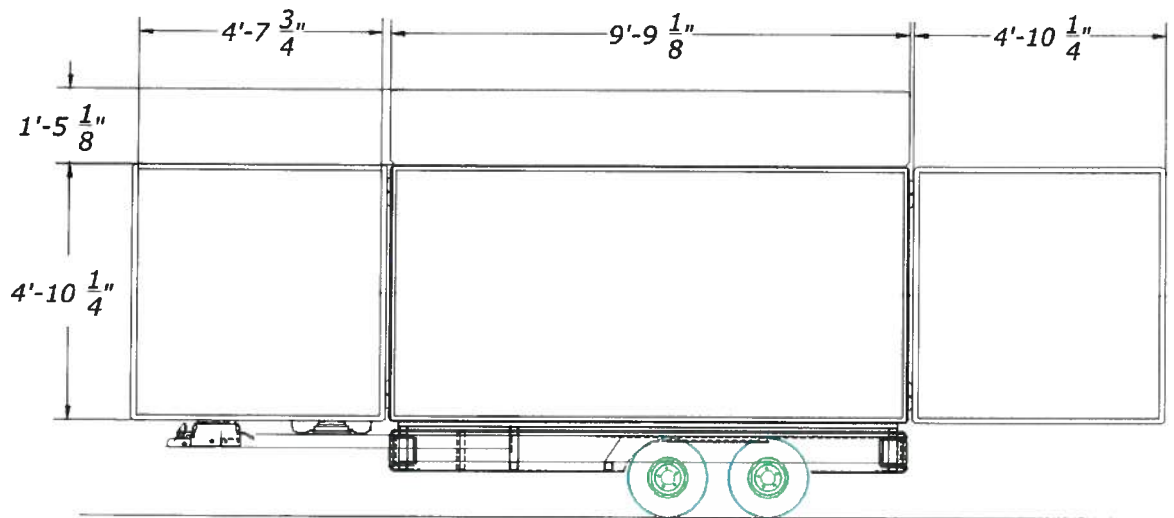
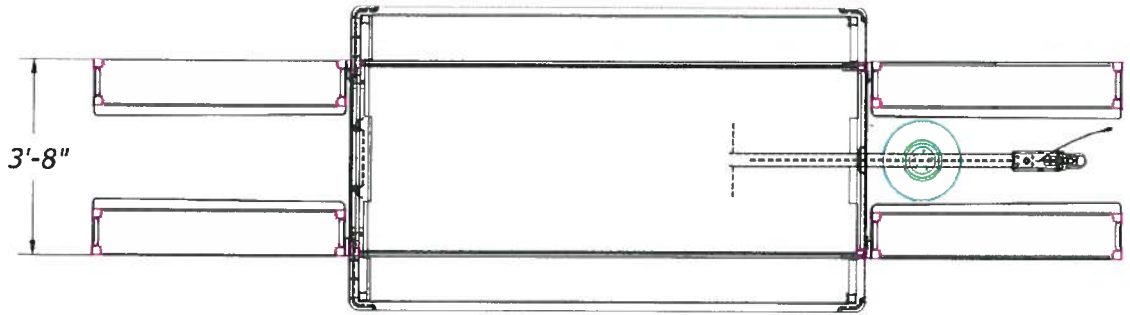
- Custom paint finish..... \$3,130.00
- Scotchprint exterior graphic wrap \$4,470.00
- Self-transporting tent canopy (Graphics Extra)..... \$12,010.00
- Digital graphics for tent canopy, 100% coverage \$3,125.00
- Snap-on fabric wheel-concealment skirt (Graphics Extra) \$1,710.00
- Digital graphics for wheel-concealment skirt \$400.00
- Door skirts – set of 4 (Graphics Extra) \$3,140.00
- Digital graphics for set of 4 door skirts \$2,070.00
- Door top signs – set of 4 (Graphics Extra) \$1,830.00
- Digital graphics for set of 4 door top signs \$770.00
- Trailer moving dolly \$660.00

This currency conversion provides an estimate only. All prices are shown in US Dollars based on an exchange rate of US\$1.00=CA\$1.00. Actual exchange rate charged may vary depending on settlement date and exchange rate at time of purchase.

Effective March 2011. Specification and price subject to change without notice or obligation.

MOBILEXHIBIT CORPORATION

160 Lesmill Road, Toronto, Ontario, Canada M3B 2T5 Tel: (416) 441-3477 Fax: (416) 441-3556
 www.mobilexhibit.com E-mail: customerservice@mobilexhibit.com



MOBILEXHIBIT®

TRADEMARKS REGISTERED — PROTECTED UNDER U.S. PATENT NO. 5310209.